

# Small, compact Thermostat KTO 011 / KTS 011



- Large setting range**
- Small size**
- Simple to mount**
- High switching performance**

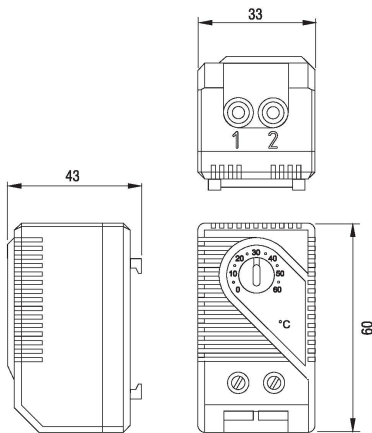
KTO 011: Thermostat (normally closed); contact breaker for regulating heaters.

KTS 011: Thermostat (normally open); contact maker for regulating of filter fans and heat exchangers or for switching signal devised when temperature limit has been exceeded.



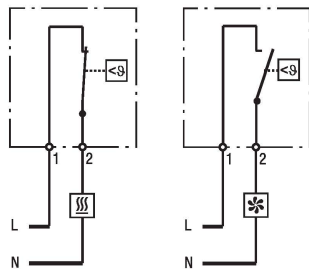
### Technical Data

<b>Switch temperature difference</b>	7K (± 4K tolerance)
<b>Sensor element</b>	thermostatic bimetal
<b>Contact type</b>	snap-action contact
<b>Contact resistance</b>	< 10mOhm
<b>Service life</b>	> 100,000 cycles
<b>Max. Switching capacity</b>	250VAC, 10 (2) A 120VAC, 15 (2) A DC 30W
<b>EMC</b>	acc. to EN 55014-1-2, EN 61000-3-2, EN 61000-3-3
<b>Connection</b>	2-pole terminal for 2.5mm <sup>2</sup> , clamping torque 0.8Nm
<b>Mounting</b>	clip for 35mm DIN rail, EN50022 (or for exit filter EF 118 Series)
<b>Casing</b>	plastic according to UL94 V-0, light grey
<b>Dimensions</b>	60 x 33 x 43mm
<b>Weight</b>	approx. 40g
<b>Fitting position</b>	variable
<b>Operating/Storage temperature</b>	-20 to +80 °C (-4 to +176 °F) / -45 to +80 °C (-49 to +176 °F)
<b>Protection type</b>	IP20

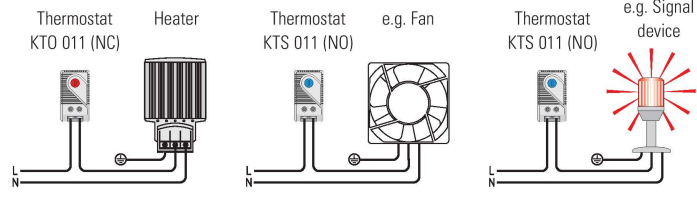


Thermostat KTO 011 (NC)

Thermostat KTS 011 (NO)



Example of connection



Example of connection

Setting range	Art. No. Contact Breaker (NC)	Art. No. Contact Maker (NO)	Approvals
0 to +60°C	01140.0-00	01141.0-00	VDE
-10 to +50°C	01142.0-00	01143.0-00	VDE
+20 to +80°C	01159.0-00	01158.0-00	VDE
+32 to +140°F	01140.9-00	01141.9-00	UL File No. E164102
+14 to +122°F	01142.9-00	01143.9-00	UL File No. E164102
0 to +60°C	01146.9-00	01147.9-00	UL File No. E164102