

EHX*E Series Enclosure

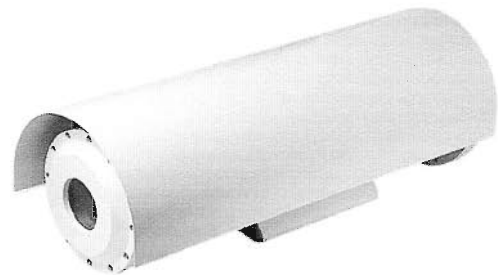
SPECIALTY, OUTDOOR, EXPLOSION-PROOF

Product Features

- Aluminum Construction
- Adjustable Mounting Cradle
- Available in 4-inch (10.16 cm), 6-inch (15.24 cm) and 8-inch (20.32 cm) Diameters
- For use in a Variety of Harsh and/or Hazardous Environments, including Marine Environments
- Meets NEMA 4X and IP66 Standards
- Use with Fixed Mount or Explosion-Proof Pan/Tilt



EHX6E ENCLOSURE



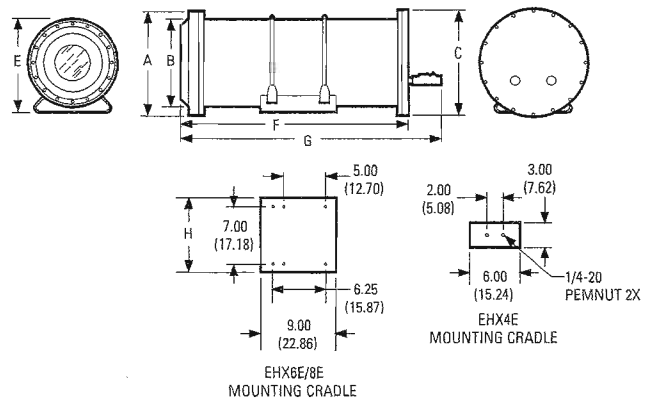
ENCLOSURE WITH SUN SHROUD

The **EHX*E Series** explosion-proof camera enclosures are used in explosive and hazardous atmospheres throughout the world. They are designed to meet the rigorous requirements of explosion-proof and dust-ignition-proof electrical equipment for installation and use in hazardous locations. These enclosures are also waterproof and dust-tight.

Constructed of aluminum, enclosures in this series are available in 4-inch (10.16 cm), 6-inch (15.24 cm), and 8-inch (20.32 cm) diameters to accommodate most camera and lens combinations. A unique camera mounting sled and track assembly allows fast, easy positioning of the camera and lens and can be securely locked in place.

Field installed accessories include optional heater, blower and sun shroud.

You can use the **EHX*E Series** in fixed mount applications or with Pelco's PT1260EX Series explosion-proof pan/tilt.



DIM	EHX4E	EHX6E-16	EHX6E	EHX8E
A	Ø7.00 (17.78)	Ø8.00 (20.32)	Ø8.00 (20.32)	Ø10.13 (25.72)
B	Ø4.50 (11.43)	Ø6.63 (16.83)	Ø6.63 (16.83)	Ø8.63 (21.92)
C	Ø7.00 (17.78)	Ø8.75 (22.23)	Ø8.75 (22.23)	Ø13.00 (33.02)
D	Ø3.19 (8.10)	Ø3.00 (7.62)	Ø3.00 (7.62)	Ø4.25 (10.80)
E	6.75 (17.15)	7.85 (19.94)	7.85 (19.94)	9.65 (24.51)
F	14.25 (36.20)	18.70 (47.50)	26.70 (67.82)	26.67 (67.74)
G	18.25 (46.36)	22.70 (57.66)	30.70 (77.98)	30.67 (77.90)
H	N/A	8.57 (21.77)	8.57 (21.77)	9.12 (23.16)

NOTE: VALUES IN PARENTHESES ARE CENTIMETERS; ALL OTHERS ARE INCHES.



DataFAX
SPEC: 2417
MANUAL: 24176

C417 / REVISED 10-02

IP66



International Standards
Organization Registered
Firm ISO 9001 Quality System



TECHNICAL SPECIFICATIONS

MODELS

EHX4E	Explosion-proof enclosure, 4" dia. x 12" L (10.16 cm x 30.48 cm)
EHX6E	Explosion-proof enclosure, 6" dia. x 24" L (15.24 cm x 60.96 cm)
EHX6E-16	Same as EHX6 except 16" L (40.64 cm)
EHX8E	Explosion-proof enclosure, 8" dia. x 24" L (20.32 cm x 60.96 cm)

MECHANICAL

Cable Entry	Two explosion-proof sealable fittings (supplied); .50-inch (1.27 cm) maximum inside diameter. Pipe plug supplied for possible unused gland in rear plate
Front Window	Fully tempered plate glass
EHX4E	4.25" (10.80 cm) dia.; .475" (1.21 cm) thick
EHX6E/EHX6E-16	4.50" (11.43 cm) dia.; .50" (1.27 cm) thick
EHX8E	5.75" (14.92 cm) dia.; .50" (1.27 cm) thick
Camera Mounting	Adjustable sled
Maximum Camera and Lens Size*	<i>(Without Blower or Heater)</i>
EHX4E	1.75" H x 3.375" W x 12" L (4.45 x 8.57 x 30.48 cm) 12" L x 3.0" Dia. (30.48 x 7.62 cm)
EHX6E	3.75" H x 4.375" W x 24" L (9.53 x 11.11 x 60.96 cm) 24" L x 5.0" Dia. (60.96 x 12.70 cm)
EHX6E-16	3.75" H x 4.375" W x 16" L (9.53 x 11.11 x 40.64 cm) 16" L x 5.0" Dia. (40.64 x 12.70 cm)
EHX8E	5.75" H x 5.125" W x 24" L (14.60 x 13.02 x 60.96 cm) 24" L x 7.3" Dia. (60.96 x 18.54 cm)
EHX4E (only)	<i>(With Heater Only)</i> 1.75" H x 3.375" W x 10.375" L (4.45 x 8.57 x 26.35 cm) 10.38" L x 3.0" Dia. (26.36 x 7.62 cm)
EHX4E	<i>(With Blower Only or Blower and Heater)</i> 1.75" H x 3.375" W x 9" L (4.45 x 8.57 x 22.86 cm) 9" L x 3.0" Dia. (22.86 x 7.62 cm)
EHX6E	3.75" H x 4.375" W x 22.25" L (9.53 x 11.11 x 56.52 cm) 22.25" L x 5.0" Dia. (56.52 x 12.70 cm)
EHX6E-16	3.75" H x 4.375" W x 14.25" L (9.53 x 11.11 x 36.20 cm) 14.25" L x 5.0" Dia. (36.20 x 12.70 cm)
EHX8E	5.75" H x 5.125" W x 22.25" L (14.60 x 13.02 x 56.52 cm) 22.25" L x 7.3" Dia. (56.52 x 18.54 cm)

*Assumes lens is fully extended.

GENERAL

Construction	Aluminum, pipe 6061 T6	
Dimensions	See dimension drawing on front page	
Weight	<u>Unit</u>	<u>Shipping</u>
EHX4E	15 lb (6.79 kg)	19 lb (8.60 kg)
EHX6E	31 lb (14.04 kg)	36 lb (16.30 kg)
EHX6E-16	27 lb (12.23 kg)	32 lb (14.49 kg)
EHX8E	45 lb (20.41 kg)	53 lb (24.04 kg)

CERTIFICATIONS/RATINGS

- UL Classified
- UL Classified to Canadian safety standards
- UL/cUL classified for use in Class I, Groups C and D, and Class II, Groups E, F and G; Class I, Zone 1, AEx d IIB; I, Zone 1, Ex d IIB hazardous locations
- Meets NEMA 4X Standards; KEMA Nr. Ex-96.0.2518U
- Meets IP66 Standards (dust-tight and heavy seas)
- CE compliant to 94/009/EEC
- Zone 1, EEx d IIB

OPTIONAL ACCESSORIES

Blower Kit	BKX4000	Continuous duty blower kit for EHX4E only 10 cfm, 120 VAC, 3.8W @ 60 Hz
	BKX4024	Same as BKX4000 except 19.4 cfm, 24 VDC (AC rectified), 1.92W
	BKX6000	Continuous duty blower kit for EHX6E and EHX8E, 10 cfm, 120 VAC, 3.8W @ 60 Hz
	BKX6000/220	Same as BKX6000 except 8 cfm, 230 VAC, 9.6W @ 50 Hz
Heater Kit	BKX6024	Same as BKX6000 except 19.4 cfm, 24 VDC (AC rectified), 1.92W
	HKX4-1*	Heater kit for EHX4E only. 120V, 40W
	HKX4-2*	Same as HKX4-1 except 24V
	HKX4-3*	Same as HKX4-1 except 230V, 80W
	HKX6-1*	Heater kit for EHX6E only. 120V, 80W
	HKX6-2*	Same as HKX6-1 except 24V
Sun Shroud	HKX6-3*	Same as HKX6-1 except 230V
	HKX8/10-1*	Heater kit for EHX8E only, 120V, 107W
	HKX8/10-2*	Same as HKX8-1 except 24V
	HKX8/10-3*	Same as HKX8-1 except 230V
Other	SSEHX4E	Sun shroud for EHX4E only
	SSEHX6E	Sun shroud for EHX6E only
	SSEHX6E-16	Sun shroud for EHX6E-16 only
	SSEHX8E	Sun shroud for EHX8E only
	EHX*EORKIT	O-ring kit for EHX*E Series. Consult factory for applicable model numbers

*Heaters activate on @ 40°F (4.4°C) and off @ 60°F (15.6°C)

RECOMMENDED MOUNTS

EHX4E	EM1109,	Medium duty mount for horizontal/vertical pipe or pole. Max. load 40 lb (18.1 kg)
	EM2000,	
	EM2200	Medium duty wall mount. Max. load 40 lb (18.1 kg)
	EM22	Medium duty ceiling/pedestal mount. Max. load 40 lb (18.1 kg)
EHX6E/EHX8E	MM22	Medium duty ceiling/pedestal mount. Max. load 40 lb (18.1 kg)
	PM2000,	Pedestal/ceiling mount. Max. load 125 lb (56.62 kg).
	PM2010**	Wall mount. Max. load 75 lb (34 kg); increased to 150 lb (68 kg) when used with ST1 strut.
	WM2000**	Heavy duty wall mount with adjustable head. Max. load 300 lb (136 kg)
	WM3026	Adjustable head. Support strut.
Adapters	AH2000	Adjustable head.
	ST1	Support strut.

**Use with AH2000 adjustable head.

RECOMMENDED PAN/TILT

PT1260EX Series	Heavy duty explosion-proof pan/tilt. Max. load 100 lb (45.4 kg).
-----------------	--



Specifications subject to change without notice.
©Copyright 2002, Pelco. All rights reserved.