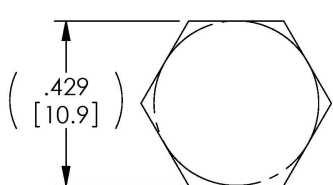
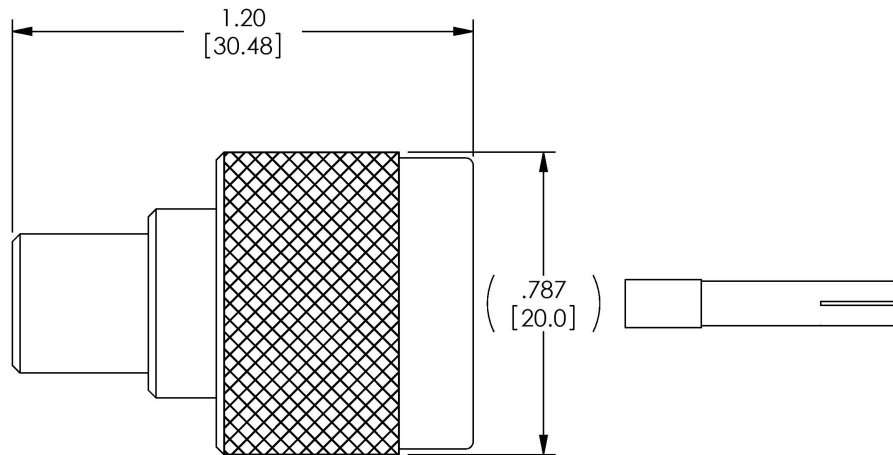


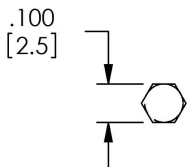
THE INFORMATION CONTAINED IN THIS DRAWING IS THE SOLE PROPERTY OF L-COM, INC. ANY REPRODUCTION IN PART OR WHOLE WITHOUT THE WRITTEN PERMISSION OF L-COM, INC. IS PROHIBITED.

REVISIONS			
REV	DESCRIPTION	DATE	APPROVED
A	INITIAL RELEASE	6/15/11	D.GRIFFIN

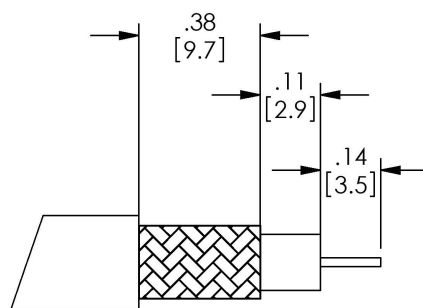
DESCRIPTION	MATERIAL	FINISH
BODY	BRASS	NICKEL
RETAINING RING	BRASS	NICKEL
PIN	BRASS	GOLD
DIELECTRIC	TEFLON	---
GASKET	RUBBER	---
GROUND RING	BRASS	NICKEL
SHELL	BRASS	NICKEL
FERRULE	BRASS	NICKEL



RECOMMENDED FERRULE CRIMP SIZE



RECOMMENDED PIN CRIMP SIZE



RECOMMENDED CABLE STRIPPING

**NOTES:**

**ELECTRICAL:**

IMPEDANCE: 50 OHMS  
 WITHSTAND VOLTAGE: 2500V  
 FREQUENCY RANGE: 0~6 GHz  
 VSWR: <1.50 @ 0~6 GHz  
 DURABILITY: > 500 CYCLE  
 CABLE RETENTION: > 40 POUNDS

**MISCELLANEOUS:**

COMPONENTS SHALL BE INDIVIDUALLY PACKAGED IN ACCORDANCE WITH L-COM SPECIFICATIONS PS-0031.

ALL DIMENSIONS ARE FOR REFERENCE ONLY.

UNLESS OTHERWISE SPECIFIED, DIMENSIONS ARE IN INCHES [mm] OVERALL CABLE LENGTH TOLERANCE: ≤12 [305] ≤+1 [25] / -0 >12 [305] ≤60 [1524] = +2 [51] / -0 >60 [1524] ≤120 [3048] = +4 [102] / -0 >120 [3048] ≤300 [7620] = +6 [152] / -0 >300 [7620] = +3% / -0% ALL OTHER DIMENSIONAL TOLERANCES: .X = ±.2 .XX = ±.02 .XXX = ±.005	APPROVALS	DATE	CATEGORY <p style="text-align: center;">COAXIAL</p> PRODUCT DESCRIPTION <p style="text-align: center;">CON,RP-N PLUG CRIMP LMR400</p>
	DRAWN BY D. CASTRO	6/14/11	
	CHECKED BY K. BURGNER	6/14/11	
	APPROVED BY K. BURGNER	6/14/11	
PROJECTION 	CONFIGURATION DETAILS OF UNDIMENSIONED FEATURES MAY VARY	COLOR VARIATIONS MAY OCCUR	SIZE <b>A</b> FSCM NO. <b>43321</b> DWG. NO. <b>ARNP-1404</b> REV. <b>A</b>
1A804-045	SCALE: NONE	CAD FILE: ARNP-1404.SLDDRW	SHEET 1 OF 1