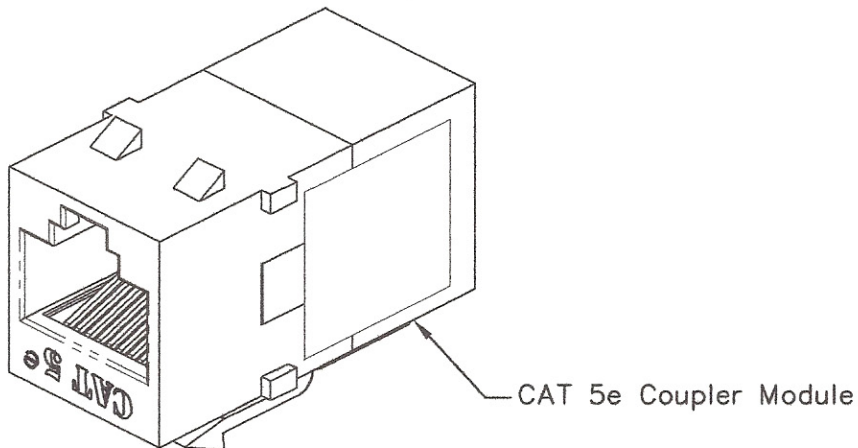


8P8C Category 5e Coupler Module

PRODUCT SPECIFICATION

Package Includes:

A. 8P8C Category 5e Coupler Module, 1 pc



Features and Benefits:

- PCB technology provides maximum performance and superior signal quality
- Enhanced crosstalk cancellation reduces return loss and improves performance by rejecting noise and unwanted signals
- Exceeds ANSI/TIA/EIA-568-B.2 Category 5e connecting hardware requirements
- Reduced rear footprint allows for greater connectivity density and provides for more port configurations in a smaller area
- Backwards compatible to all lower rated category components
- Compatible with all IC107 faceplates, inserts, surface mount boxes, and blank patch panels
- Compatible with all IC108 furniture faceplates, bezels, and surface mount boxes
- Used with ICC Category 5e ICPCS5 and ICPCS9 series patch cords
- Available in black
- UL listed

MODULE, COUPLER, CAT 5E, BLACK

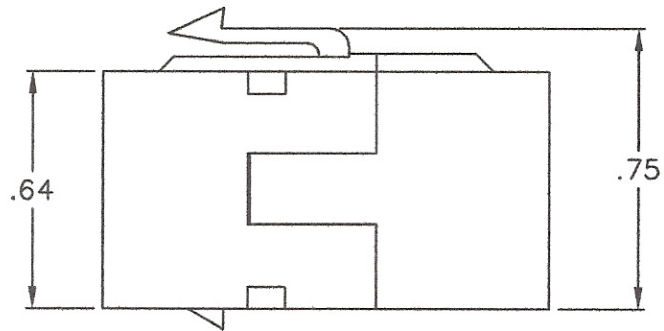
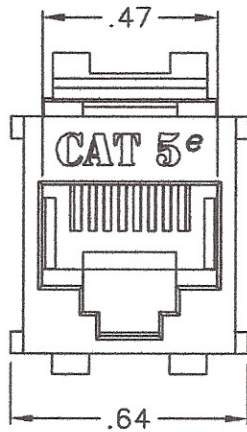
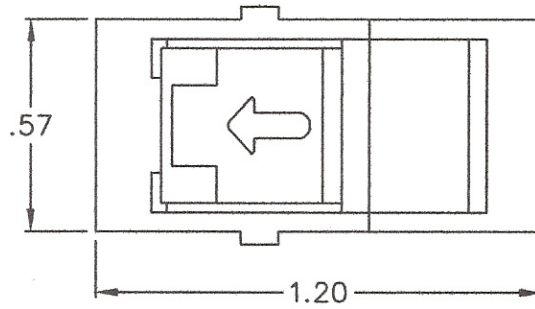
ITEM NO. IC107C5EBK

REV. C

DWG NO. PS107C5E00

PAGE NO. 1





NOTE: UNLESS OTHERWISE SPECIFIED

1. ELECTRICAL:

- A. CURRENT RATING: 1.5 AMPS MAX
- B. VOLTAGE RATING: 150 VOLTS ALTERNATING
- C. DIELECTRIC WITHSTANDING VOLTAGE: 1000 VOLTS RMS, 60 HZ
- D. INSULATION RESISTANCE: > 10 MOHMS

2. MECHANICAL:

- A. MATING FORCE: 5 LBS MAX
- B. UNMATING FORCE: 5 LBS MAX
- C. PLUG RETENTION IN JACK: 20 LBS MIN
- D. DURABILITY: 750 CYCLES

3. MATERIAL & FINISH:

- A. HOUSING: ABS, UL 94V-0
- B. COLOR: BK-BLACK
- C. CONTACT: PHOSPHOR BRONZE GOLD PLATING OVER 100 MICRO INCH NICKLE
- D. GOLD PLATING: 1.27 MICRON/50 MICRO INCH MIN

NEXT: (NEAR END CROSS TALK)	1 MHz < 65 db
	10 MHz < 63 db
	20 MHz < 57 db
	100 MHz < 43 db
INSERTION LOSS:	1 MHz < .1 db
	10 MHz < .1 db
	20 MHz < .2 db
	100 MHz < .4 db

WIRING DIAGRAM	
PIN	PIN
1	1
2	2
3	3
4	4
5	5
6	6
7	7
8	8

UL US FILE NO. 125268

MODULE, COUPLER, CAT 5E, BLACK			
ITEM NO.	IC107C5EBK	REV.	C
DWG NO.	PS107C5E00	PAGE NO.	2

