



FULL SIZE CRYSTAL CAN RELAY

2 AMPERE DC or AC COIL

Series
B

Product Description

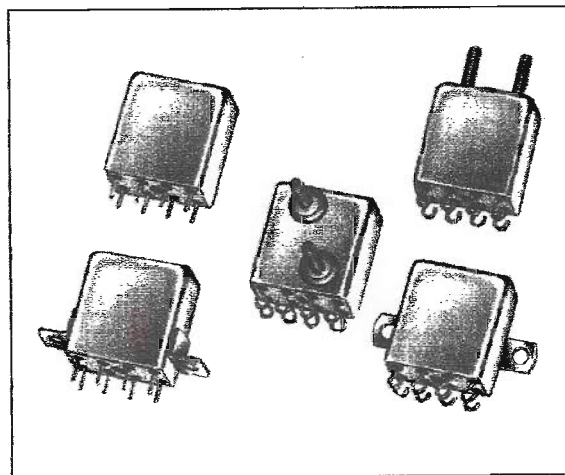
This standard size crystal can relay series, offers switching capability of low level signals up to 2 amperes under the most extreme environmental conditions.

The following construction features ensure the highest reliability in extreme environments:

- All welded relay construction
- Cleaning and sealing techniques ensure maximum internal cleanliness
- Low level up to 2 amperes switching
- 2 form C, DPDT contacts, special metal alloy with gold plating
- DC or AC coil.

Series Types

- **2B** Basic Relay, 2 form C, DPDT
- **2BR** Basic Relay with an internal bridge diode, for AC operation



Environmental and Physical Specifications

Temperature (Ambient)	- 65°C to + 125°C
Shock	100 g, 6 ms.
Vibration (sinusoidal)	20 g, 10 to 2000 Hz
Acceleration	50 g
Sealing	All welded, Hermetic
Weight	1,0 oz. (28,35 grams) max.

Electrical Characteristics (over the Temperature range. Unless otherwise noted)

Coil Data	See Typical Characteristics chart		
Contact Rating	Type Load	Contact Load	Cycles min.
(Note: All ratings with grounded case)	Low Level	10 mA / 30 mV	1.000.000
	Resistive	2 A / 28 Vdc	100.000
		1 A / 115Vac, 400 Hz	100.000
	Overload	0,3 A / 115 Vac, 60 Hz	100.000
Inductive		4 A / 28 Vdc 1 A / 28 Vdc (200 mH)	100
Contact Resistance	0,05 Ω max. initial		
Operate Time	6,0 ms. max. at 25°C, Series B		7,0 ms. max. at 25°C, Series BR
Release Time	3,0 ms. max. at 25°C, Series B		10,0 ms. max. at 25°C, Series BR
Contact Bounce	3,0 ms. max. at 25°C		
Dielectric Strength	1.000 Vrms min., 60 Hz, all points, 500 Vrms min. between open contacts and coil to case, at sea level		
Insulation Resistance	1.000 MΩ min. all points at 500 Vdc		
Intercontact Capacitance	2,5 pF between contacts		
Sensitivity	250 mW at pick-up, 1,6 W typical at nominal rated coil voltage, at 25 °C		



FULL SIZE CRYSTAL CAN RELAY 2 AMPERE DC or AC COIL

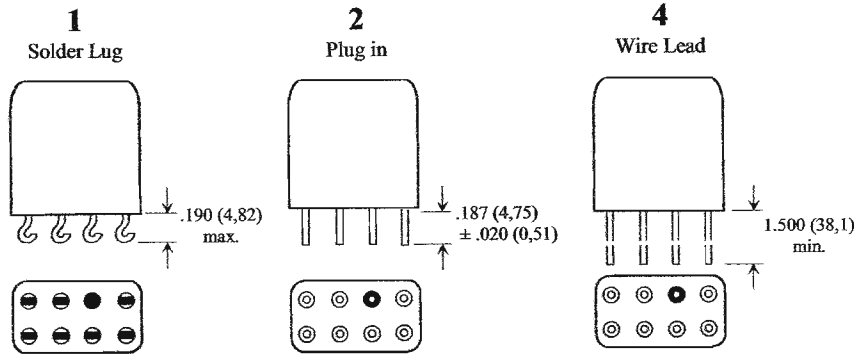
Series
B

Typical Characteristics

Series Types	Voltage Code	Coil Voltage [Vdc]		Coil Resistance [Ω] ± 10% at 25°C	Pick-up [Vdc] Max. at 25°C	Drop-out [Vdc] Min. at 25°C	Coil Suppression [Vdc]
		Nominal	Max.				
2B	106	6,0	7,2	40	3,1	0,5	47
	112	12,0	14,4	160	6,3	0,75	47
	126	26,5	32,0	675	13,0	1,5	47
	148	48,0	58,0	2500	25,0	2,5	109
	176	76,0	90,0	5000	35,0	3,0	109
2BR	126	26,5	32,0	600	15,0	2,0	
	148	48,0	58,0	2000	28,0	3,0	
	176	76,0	90,0	3500	44,0	4,0	
	215	115,0	125,0	10000	66,0	5,0	

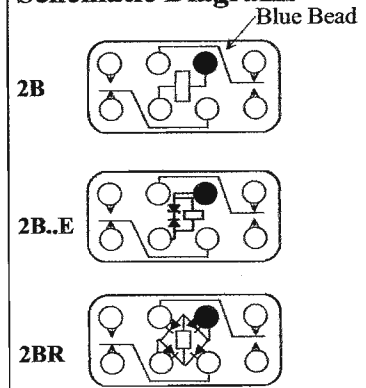
Note:
AC operation,
60 to 400 Hz

Terminal Styles



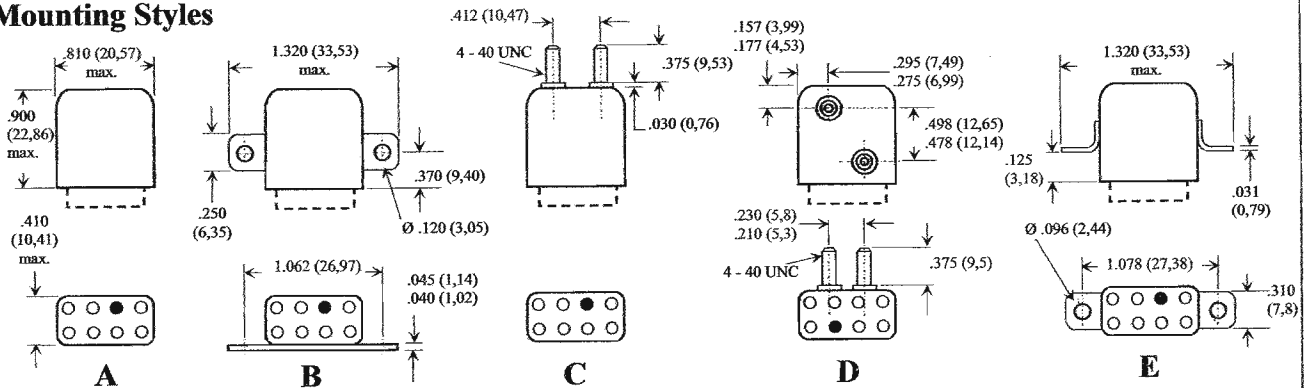
Note:
- Dimensions are shown in inches (millimetres)
- Terminal spacing is .200 (5,08). Terminal diameter is .030 (0,76) + .003 (0,08) - .002 (0,05)

Schematic Diagrams



Note:
- Schematics are viewed from terminals

Mounting Styles



Note:
- Dimensions are shown in inches (millimetres)

How to Order (Part Numbering System)

AC Operation 2BR - 2 A - 126 P
DC Operation 2B - 2 A - 126 P E

Series					With internal voltage suppressor
Terminal Style					Insulating Pad (optional)
Mounting Style					Voltage Code