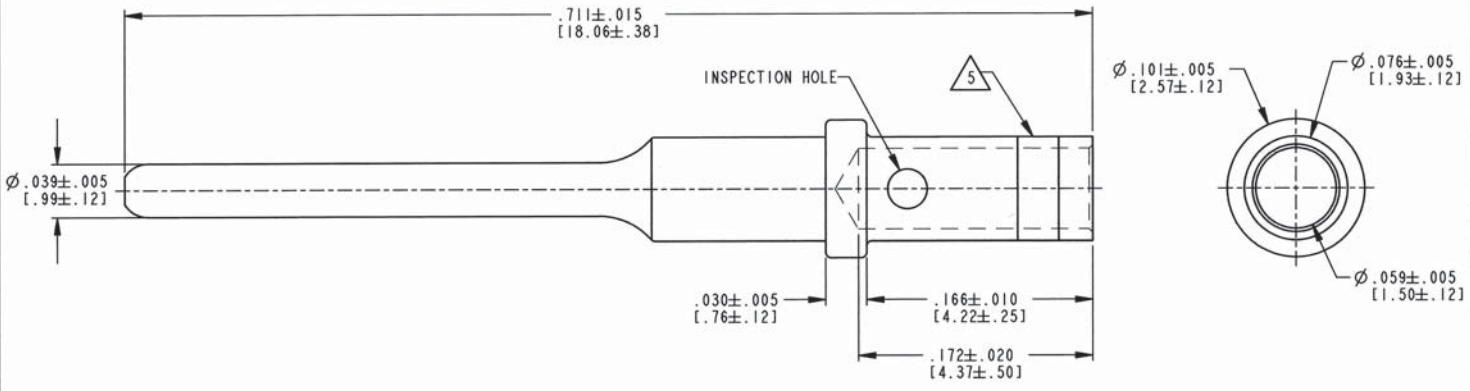


REV B 0460-010-20**

REVISIONS			
SYM	DESCRIPTION	DATE	APPROVED
NC	NEW RELEASE PER E.O. P19622	9-19-07	R.D.R.
A	REVISED PER E.O. P20270	7-27-09	R.D.R.
B	REVISED PER E.O. P21283	1-25-12	RDR



- 5 PIN CONTACT IS IDENTIFIED BY A SINGE PURPLE STRIPE.
- FOR CONTACT PERFORMANCE AND APPLICATION CHARACTERISTICS SEE DRAWING 0425-015-0000.
 - THIS CONTACT MAY BE CRIMPED WITH HDP-400 POWER PRESS OR HDT-48-00 HAND TOOL. SEE DRAWING 0425-205-0000 FOR APPLICABLE WIRE SIZE AND CRIMPING INFORMATION.
 - WHEN ** = 31: GOLD OVER NICKEL OVER COPPER
WHEN ** = 141: NICKEL OVER COPPER
WHEN ** = 309: TIN OVER NICKEL OVER COPPER
 - DIMENSIONS ARE IN INCHES [mm]

NOTES: UNLESS OTHERWISE SPECIFIED

SIGNATURE & DATE	
DR	D. MEYER 08-22-07
CHK	D. MEYER 1/23/12
PE	D. MEYER 1/23/12
APPD	R. R. R. 2-3-12
SCALE	NONE
WT	

CONTACT PIN
SIZE 20
16-18 AWG

ENVELOPE

EP	MATL. CODE
	3850 INDUSTRIAL AVE. HEMET, CA 92545
DEUTSCH INDUSTRIAL	
B 0460-010-20**	
DWG. SIZE	CODE 11139
SHEET	OF 1