

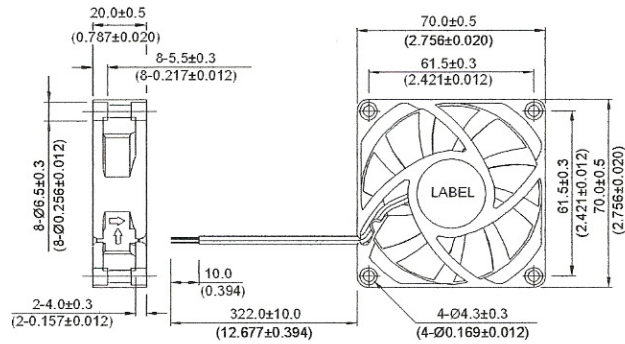
New



- * Bearing Type
Superflo Bearing
- * Material
Impeller & Frame : Plactic (UL 94V-0)
- * Lead Wires :
UL 1007 AWG #24 OR Equivalent
Red Wire Positive (+)
Black Wire Negative(-)
- * Weight : 68g (2.40 OZ)
- * Rib Type Only

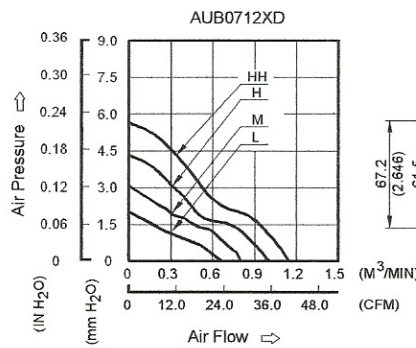
AUB 70 x 70 x 20 MM SERIES

■ DIMENSIONS DRAWING

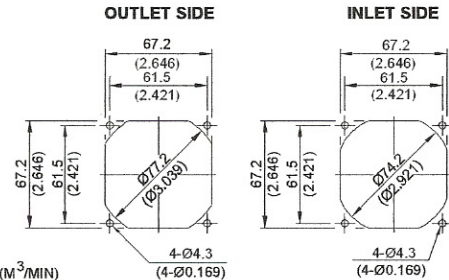


UNIT: $\frac{\text{mm}}{\text{INCH}}$

■ P & Q CURVE (AT RATED VOLTAGE)



■ MOUNTING PANEL CUTOUT



UNIT: $\frac{\text{mm}}{\text{INCH}}$

MODEL		Rated Voltage	Operating Voltage Range	Rated Current	Rated Input Power	Speed	Maximum Air Flow		Maximum Air Pressure		Noise
PART NO.	FUNCTION	VDC	VDC	Amp	Watt	R.P.M.	m ³ /min	CFM	mmH ₂ O	IN H ₂ O	dB-A
AUB0712LD	-R00 / -F00	12	5.0 to 13.2	0.06	0.72	2600	0.682	24.08	2.01	0.079	27.0
AUB0712MD	-R00 / -F00	12	5.0 to 13.2	0.11	1.32	3200	0.826	29.16	2.99	0.117	32.0
AUB0712HD	-R00 / -F00	12	5.0 to 13.2	0.17	2.04	3800	1.003	35.42	4.30	0.169	36.5
AUB0712HHD	-R00 / -F00	12	5.0 to 12.6	0.22	2.64	4400	1.145	40.43	5.64	0.222	40.5

- * Function type is optional.
- * The max. air flow and the speed are measured in free air ; max. air pressure is measured at zero air flow.
- * Noise is measured in anechoic chamber in free air, one meter from intake side.
- * All readings are typical values at rated voltage.
- * Specifications are subject to change without notice.