



ComEx^{flex}
Switch module

Features

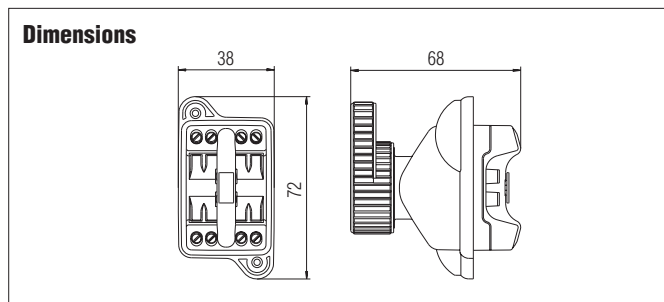
- One module for all fields of application
- Large selection of actuating elements
- High flexibility thanks to the junction box
- Low installation depth

Description

The ComEx^{flex} switch module is used in almost all hazardous areas where machine functions are activated by means of a button or a switch.

The ComEx^{flex} is flexible and in addition to a large number of actuating elements it offers a junction box to facilitate a safe and convenient installation of the module into a control panel. All contacts in the switch modules are self-cleaning and the opening contacts have positive opening operation.

The conductors are connected by means of terminals on the back of the module which have an increased safety level. The easy installation of the actuating elements without tools ensures conformance to the high IP degree of protection.



Selection chart	
Type of contact	Code no.
2 N/C	1
2 N/O	2
1 N/C + 1 N/O	4

➔ Complete order no.

Switch module without actuating element
Please enter code number.

07-3323-4 00

ComEx^{flex} Switch module

➔ Explosion protection

Ex protection type II 2G Ex de IIC Gb
 I M2 Ex de I Mb

Certification PTB 99 ATEX 1043 U
 IECEx PTB 07.0046 U

Ambient temperature -55 °C to +60 °C

➔ Technical Data

Protection class determined by the actuating element and control station enclosure, terminals IP 20 (IEC 60529).

Rated insulation voltage 690 V

Rated operating voltage			
400 V	400 V	110 V	24 V
Utilization category			
AC-12	AC-15	DC-13	DC-13
Rated operating currents			
16 A	10 A	0,5 A	1 A

Conventional thermal current I_{thc} 16 A/+40 °C, 11 A/+60 °C

Contact options contacts with positive-break operation (self-cleaning)
 1 N/C and 1 N/O or
 2 N/C or 2 N/O

Contact material AgSnO₂

Enclosure material thermoplastic

Connection terminals 2.5 mm², fine-stranded

Mechanical life >10⁶ switching cycles

Storage temperature -55 °C to +70 °C

Weight approx. 110 g

Mounting locked, bayonet lock

Shock resistance DIN EN 60068-2-27: 2010, 30 g 18 ms