



RS-S SERIES



MODEL RS-12S

- Built in speaker

MODEL	Continuous Duty (Amps)	ICS (Amps)	Size (IN) H x W x D	Shipping Wt. (lbs.)
RS-10S	7.5	10	4 x 7½ x 10¾	12
RS-12S	9	12	4½ x 8 x 9	13
RS-20S	16	20	5 x 9 x 10½	18
SL-11S	7	11	2¾ x 7¾ x 9¾	12

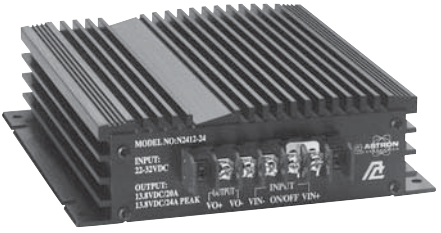


MODEL RM-35M-BB

BATTERY BACKUP POWER SUPPLIES

The RS-10A, RS-12A, RS-12MBB, RS-20A, RS-20MBB, RM-35A/M, RM-50A/M, RM-10A, RM-12A/M, RM-20A/M & RM-60A/M are available with battery revert and trickle charge circuit with zero switch over time. (Battery not included.) To specify the backup circuit add BB after the model number.

NEW DC-DC CONVERTERS



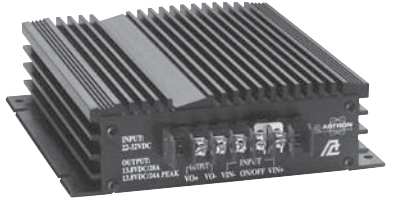
MODEL N2412-12, N2412-24, A4812-12 & A4812-24

Standard Features:

- Overvoltage Protection
- Overcurrent Protection
- Short Circuit Protection
- Terminal Block Connectors
- Extra Terminal provided to allow converters to be turned ON and OFF with the ignition switch.


MODEL	N2412-12	A4812-12	N2412-24	A4812-24
Input Voltage	22-32 VDC	30-56 VDC	22-32 VDC	30-56 VDC
Output Voltage	13.8 VDC	13.8 VDC	13.8 VDC	13.8 VDC
Line/Load Regulation	.03 VDC	.03 VDC	.04 VDC	.04 VDC
Ripple	20 mVrms	20 mVrms	20 mVrms	20 mVrms
Continuous Current	10 Amps	9 Amps	20 Amps	18 Amps
Peak Current	12 Amps	12 Amps	24 Amps	24 Amps
Overvoltage Protection	17 VDC	17 VDC	17 VDC	17 VDC
Efficiency	88%	88%	88%	88%
Dimensions	2" x 6.2" x 6"	2" x 6.2" x 6"	2" x 6.2" x 7"	2" x 6.2" x 7"
Weight	1.8 Lbs	1.8 Lbs	2 Lbs	2 Lbs

ISOLATED DC-DC CONVERTERS



The ISO converters were designed for use on electric forklifts (where high line transients and voltage spikes are common) and will operate on positive or negative electrical systems. They incorporate over voltage protection, over load protection, terminal block connections and an extra terminal to allow the converters to be turned on/off with the ignition switch.

MODEL	ISO2412-12	ISO4812-12	ISO2412-24	ISO4812-24
Input Voltage	22-32 VDC	36-72 VDC	22-32 VDC	36-72 VDC
Output Voltage	13.8 VDC	13.8 VDC	13.8 VDC	13.8 VDC
Continuous Current	10 Amps	10 Amps	20 Amps	20 Amps
Peak Current	12 Amps	12 Amps	24 Amps	24 Amps
Combined load/line regulation	+/- 1%	+/- 1%	+/- 1%	+/- 1%
Output Ripple	20 mVrms	20 mVrms	20 mVrms	20 mVrms




MODEL 1212 & 1212-18 Switching Regulated Converter.

Designed for FM transceivers and other applications requiring 12 volt power source converted from 12 volt positive ground battery. Regulation with pulse width modulation at 20 KHz.

Input - 12 V DC (Positive ground only). Functional from - 11 V DC to - 16 V DC. Output + 13.8 V DC (Negative ground only).

	1212	1212-18
Output Voltage	13.8 V DC (±.2 V DC)	13.8 V DC (±.2 V DC)
Line/Load Regulation	200 mV	200mV
Ripple/Noise	50 mV RMS	50 mV RMS
Current Continuous	6 Amp	14 Amp
Current (ICS)	7 Amp	18 Amp
Current Limit	8 Amp	19 Amp
Case	2¾" (H) x 6" (W) x 6" (D)	2¾" x 6" x 12"
Shipping Weight	2 lbs.	4 lbs.



MODEL 2412-40 & 4812-40

Switching Regulated Converter.

Designed for FM transceivers and other applications requiring 12 volt power source converted from 24 volt battery. Regulation with pulse width modulation at 20 KHz.

MODEL	2412-40	4812-40
Input (negative ground only)	22-32V DC	30-56V DC
Output Voltage (±.2 V DC)	13.8V DC	13.8V DC
Line/Load Regulation	200 mV	200 mV
Ripple/Noise	50 mV RMS	50 mV RMS
Current Continuous	32 Amp	32 Amp
Current Limit	40 Amp	40 Amp
Case	4½" x 6" x 12"	4½" x 6" x 12"
	(H) (W) (D)	(H) (W) (D)
Shipping Weight	5.5 lbs.	5.5 lbs.